



DSL-HB12

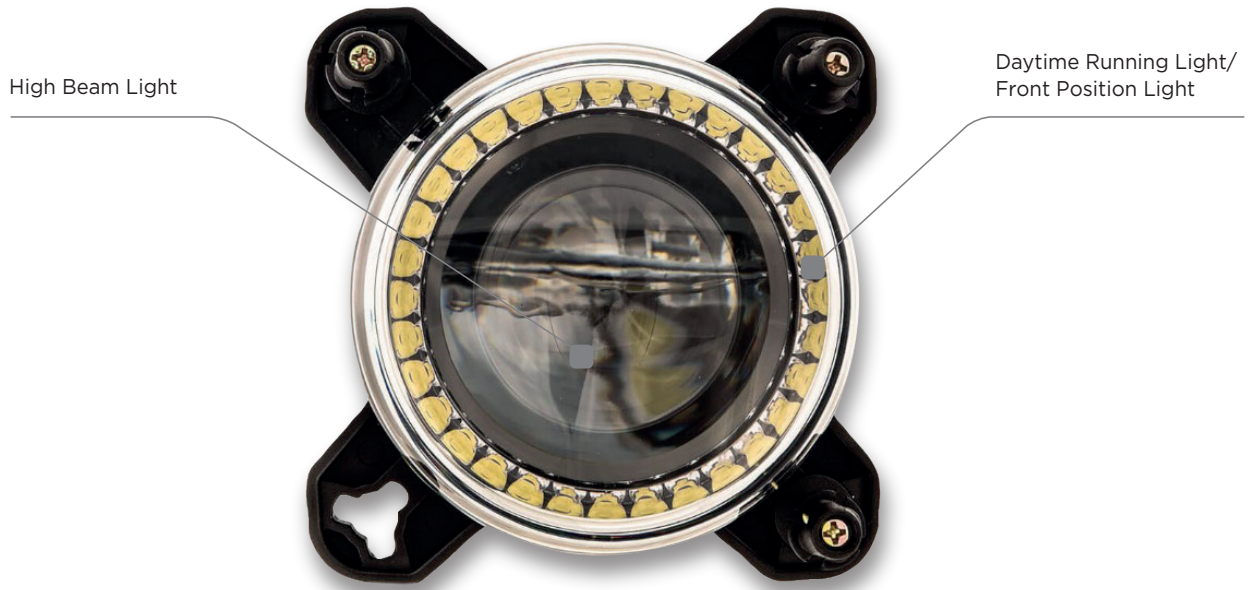
FRONT LED 3-FUNCTION HEAD LAMP



PRODUCT BENEFITS

- Three functions in one: High Beam, Day Running Lamp, Front Position
- Ideal for various types of Vehicles and Applications
- High emitted light performance
- More Compact Housing Design
- Multivoltage 12-24V
- IP69 Protection

FUNCTIONS LAYOUT

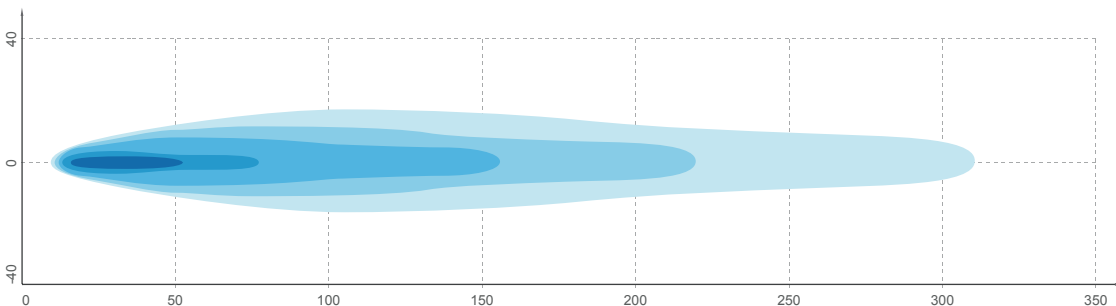
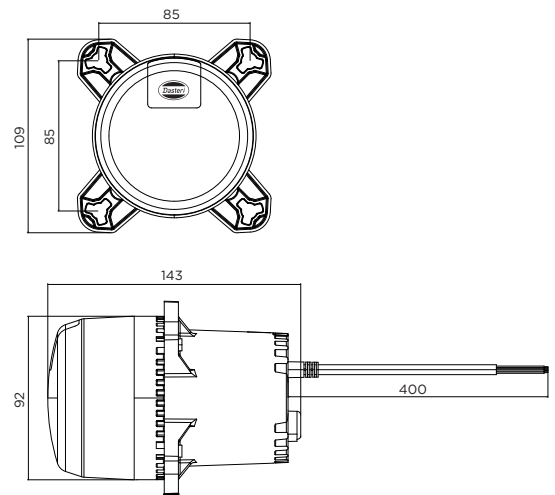


TECHNICAL SPECIFICATIONS

TECHNICAL DATA

Operating Voltage		10 V - 30 V		
Reverse Polarity Protection		Yes		
Light Function & Max. Consumption	High Beam Light	17.4 W		
	Daytime Running Light	5.2 W		
	Front Position Light	1.1 W		
Temperature Range		- 40°C to + 65°C		
Type of Mounting		3x Adjuster Screws (5x69)		
Material	Lens	PC (Clear)		
	Housing	ADC12 (Black)		
Type of Protection		IP69		
Approvals	ECE	High Beam	Daytime Running	Front Position
		R149.00	R148.00	R148.00
	SAE	Class B	RL	A
		Dot		
		R10-06		
EMC	Class 3			
CISPR 25				
Type of Connection	Standard Versions	400mm Cable Output		

DIMENSIONAL DRAWING



Beam pattern: HB

Illuminance (LUX)

