



DSL-HLB25 SERIES

FRONT LED MULTIFUNCTIONAL HEAD LAMP



PRODUCT BENEFITS

- Two functions: High Beam, Low Beam and Optional Illuminated logo
- Ideal for various types of Vehicles and Applications
- Robust housing that can withstand challenging conditions
- High Emitted Light Performance
- Multivoltage 10-30V
- IP69 Protection

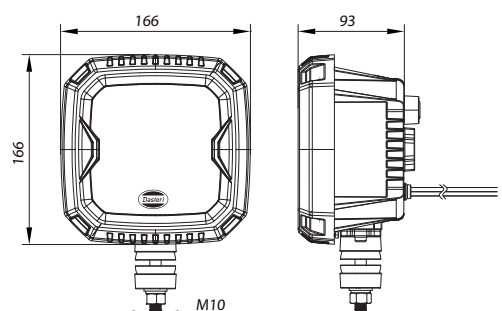
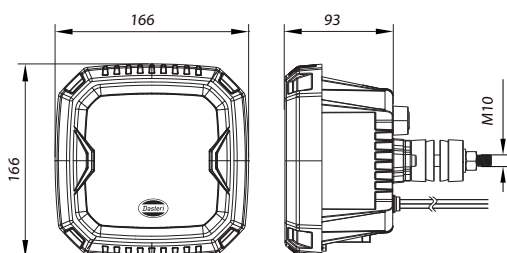
FUNCTIONS LAYOUT



TECHNICAL SPECIFICATIONS



DIMENSIONAL DRAWING



TECHNICAL SPECIFICATIONS

TECHNICAL DATA

Variants	DSL-HLB25		DSL-HLB25.01			
Operating Voltage	10 V - 30 V					
Reverse Polarity Protection	Yes					
Light Function	Low Beam	High Beam	Low Beam	High Beam	Logo	
Consumption	16,1 W	17,3 W	16,1 W	17,3 W	1,2W / 2,2W	
Temperature Range	- 40°C to + 65°C					
Material	Lens	PC (Clear)				
	Housing	ADC12 (Black)				
Type of Protection	IP69					
Approvals	ECE	Low Beam	High Beam	Low Beam	High Beam	-
		R149.00		R149.00		
	Class B		Class B			
	SAE	DOT		DOT		
	EMC	R10-06				
CISPR 25	Class 3					
Type of Connection	450mm Cable Output 500mm with Deutsch Connector					

CODES OVERVIEW

Variants Ref. No.	Illuminated Logo	Cable Output	Deutsch Connector	Heated Lens
DSL-HLB25.C		•		
DSL-HLB25.01.C	•	•		
DSL-HLB25.D			•	
DSL-HLB25.01.D	•		•	
DSL-HLB25.CHT		•		•
DSL-HLB25.01.CHT	•	•		•
DSL-HLB25.DHT			•	•
DSL-HLB25.01.DHT	•		•	•

