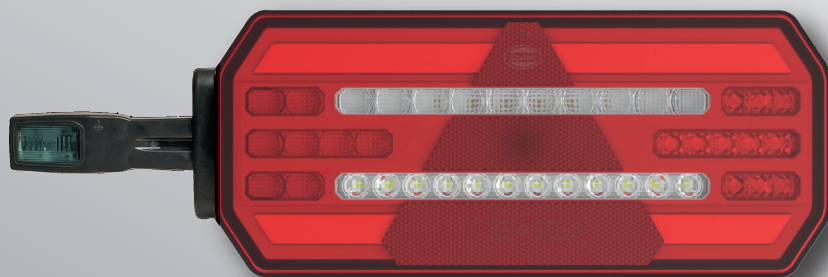
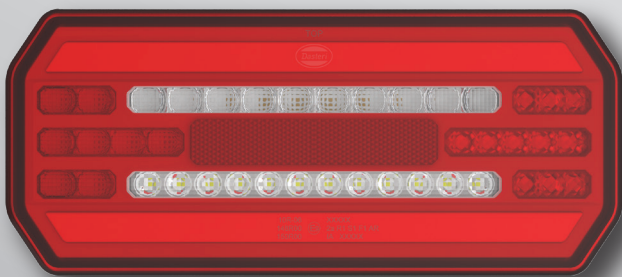




DSL-5200 SERIES

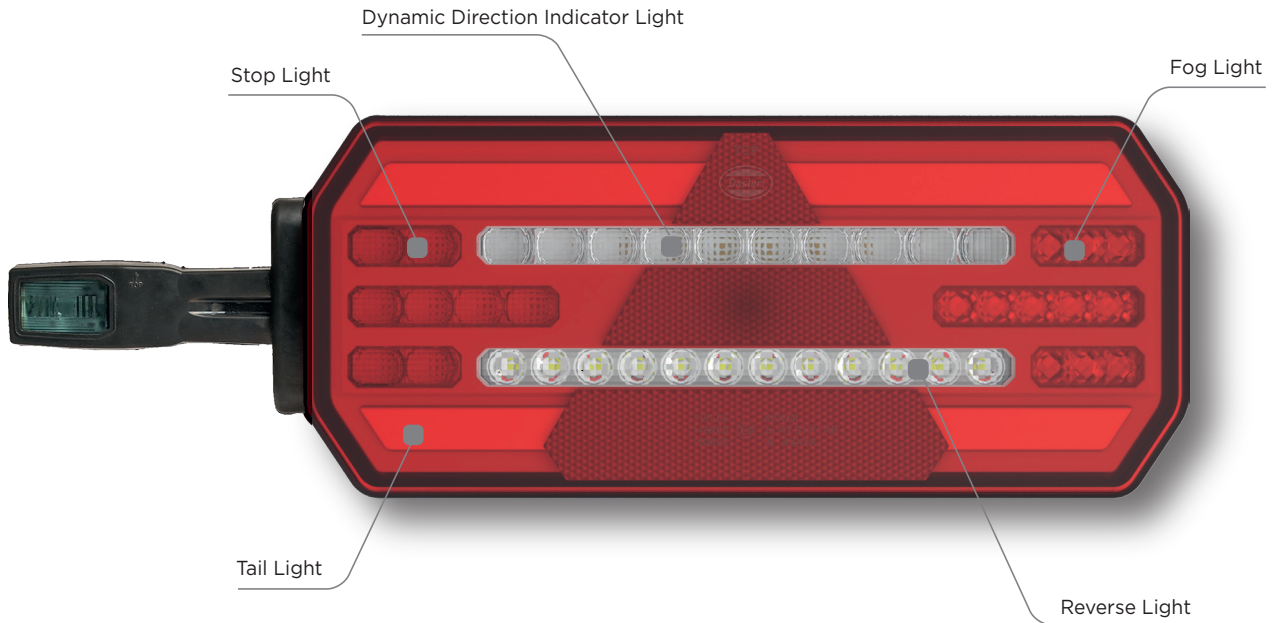
MULTIFUNCTIONAL REAR LED LAMP



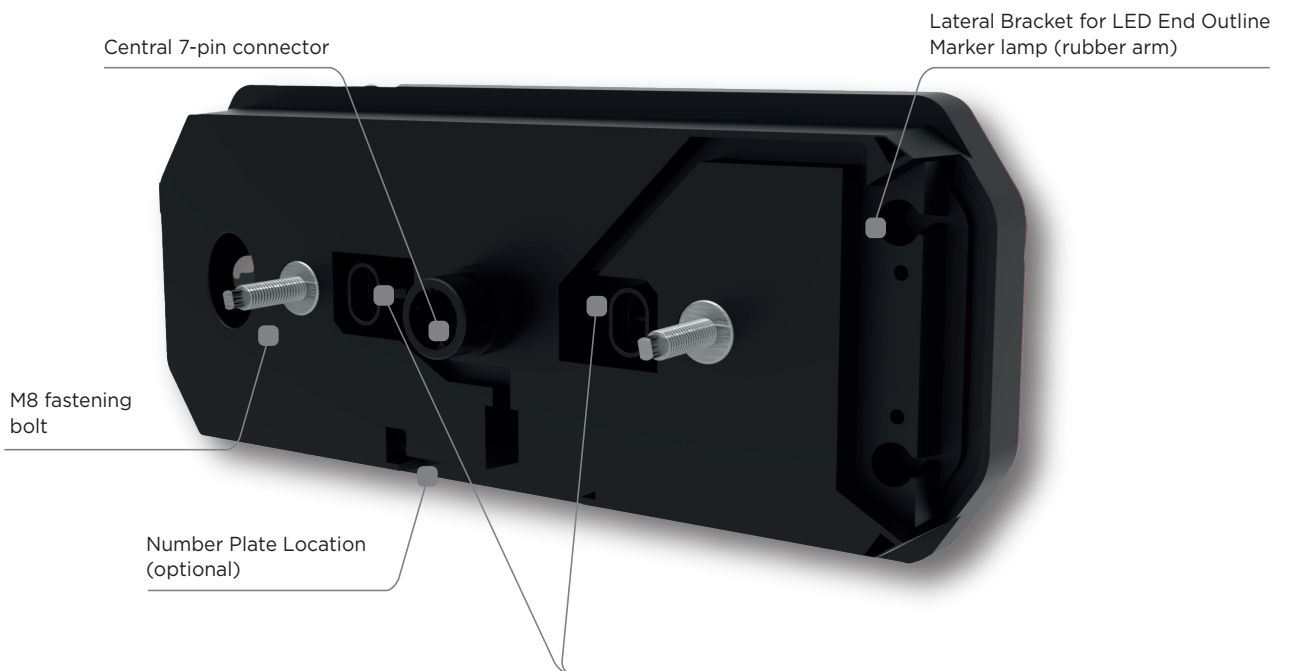
PRODUCT BENEFITS

- Attractive EU design with Dynamic or Static Direction Indicator
- Multivoltage 10-30V compatible with almost all vehicles
- Robust design with lens fixed to the housing
- Impact resistant lens made of Polycarbonate
- Flexible modular solution that can easily be expanded to more features
- Horizontal & Vertical Installation
- Tail light that stands out due to Glowing Body technology
- IP67 Protection
- Integrated Control Unit for Side Marker & Direction Indicator signal through 2-pin AMP superseal outputs
- LED End Outline Marker lamp can be connected easily by just sliding it into fixed connector position
- Optional up to 2x 2-pin connections on the rear side of the lamp for additional lighting components
- ISO pulse 13207

FUNCTIONS LAYOUT



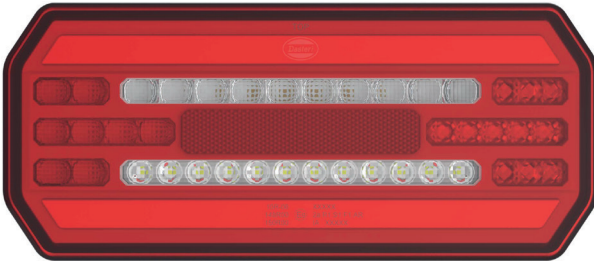
REAR SIDE CONFIGURATION



- 2x 2-pin AMP superseal connectors for additional lighting:
- LED End Outline Marker Lamp
 - LED License Plate Lamp
 - LED Work/Reverse Lamp
 - LED Sidemarkers Lamps with flashing signal from PCB

Series DSL-5200 Installation

Horizontal Installation with dynamic DI



Vertical Installation with static DI



Black Bezel Version



Number Plate Availability

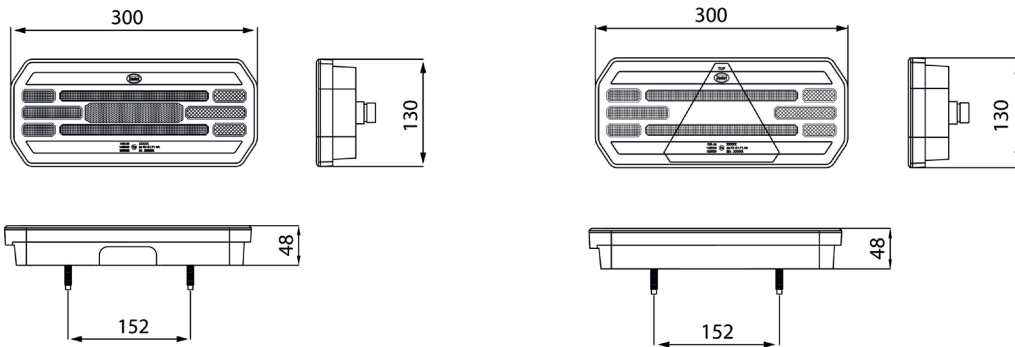


TECHNICAL SPECIFICATIONS

TECHNICAL DATA

Operating Voltage		10 V - 30 V						
Reverse Polarity Protection		Yes						
Light Function & Max. Consumption	Direction Indicator Light	3.1 W						
	Tail Light	2.9 W						
	Stop Light	3.4 W						
	Fog	4.5 W						
	Reverse Light	3.1 W						
Temperature Range		- 40°C to + 60°C						
Type of Mounting		Fastening Bolts - M8						
Material	Lens	PC (Red + Clear)						
	Housing	ABS + PC (Black)						
Type of Protection		IP67						
Approvals	ECE	R150	R150	R148	R148	R148	R148	R148
		IIIA	IA	AR	F1	S1	R1	2a
	02	02	00	00	02	02	01	
	EMC	R10-06						
Type of Connection	Standard Versions	7-pin AMP Connector or Cable Output						
	Additional Connection Options	2 x 2-pin AMP Superseal Connectors						

DIMENSIONAL DRAWING





CODES SERIES DSL-5200 OVERVIEW

Variants Ref. No.	Truck	Left	Right	Cable	7-pin AMP	2x2-pin AMP superseal	Number Plate Lamp	Dynamic with ISO 13207	Grey Bezel	Black Bezel
DSL-5200	•		•	•				•	•	
DSL-5201	•	•		•				•	•	
DSL-5202	•		•		•			•	•	
DSL-5203	•	•			•			•	•	
DSL-5204	•		•		•	•		•	•	
DSL-5205	•	•			•	•		•	•	
DSL-5205PL	•	•			•	•	•	•	•	•
DSL-5200B	•		•	•				•		•
DSL-5201B	•	•		•				•		•
DSL-5202B	•		•		•			•		•
DSL-5203B	•	•			•			•		•
DSL-5204B	•		•		•	•		•		•
DSL-5205B	•	•			•	•		•		•
DSL-5205BPL	•				•	•	•	•		•

Variants Ref. No.	Trailer	Left	Right	Cable	7-pin AMP	2x2-pin AMP superseal	Grey Bezel	Black Bezel	Led End Outline Marker Lamp
DSL-5200TR	•		•	•			•		For DSL-620S add to ref code .620S/12 for 12V or .620S/24 for 24V For DSL-622S add to ref code .622S/12 for 12V or .622S/24 for 24V
DSL-5201TR	•	•		•			•		
DSL-5202TR	•		•		•		•		
DSL-5203TR	•	•			•		•		
DSL-5204TR	•		•		•	•	•		
DSL-5205TR	•	•			•	•	•		
DSL-5200TRB	•	•			•			•	
DSL-5201TRB	•		•	•				•	
DSL-5202TRB	•	•		•				•	
DSL-5203TRB	•		•		•			•	
DSL-5204TRB	•	•			•			•	
DSL-5205TRB	•		•		•	•		•	
DSL-5205TRB	•	•			•	•		•	