



LB-700 SERIES

LED LIGHT BAR



PRODUCT BENEFITS

- Easily replaceable LED modules
- Multi voltage 10-30V
- IP69K protection
- 10 flashing patterns
- Various connection options
- Multiple emitted light choices

FUNCTIONS LAYOUT



LED MODULE CHANGE



Easily fixed without need to replace the whole bar:

- Remove broken LED module
- Replace with new one

Spare Module Parts	Emitted Color
LB-M-700.05	Amber
LB-M-700.06	Red
LB-M-700.08	Blue

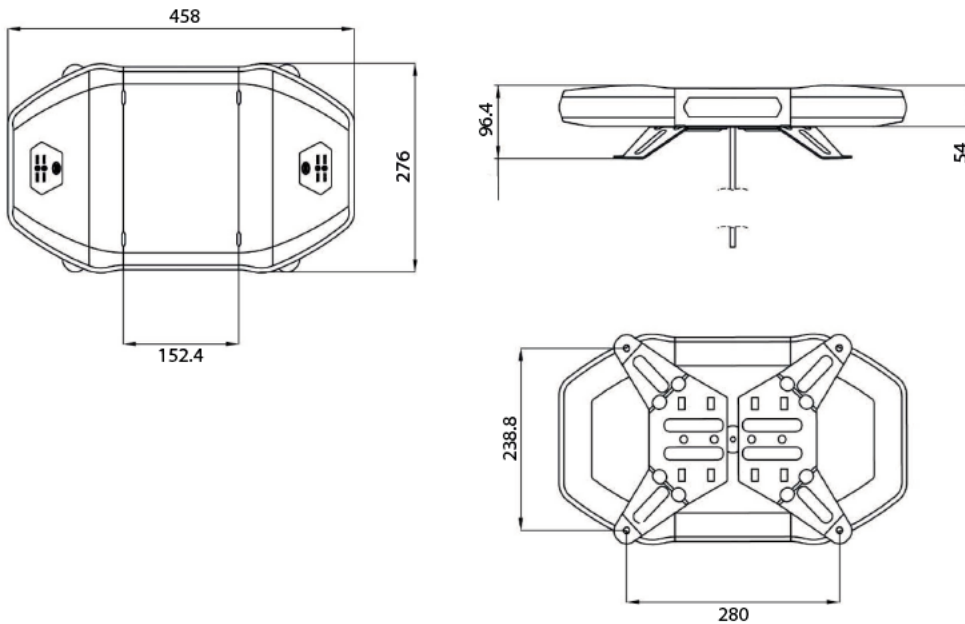


TECHNICAL SPECIFICATIONS

TECHNICAL DATA

Series Number	Series LB-700			Series LB-700W		
Product Number	LB-7XX.05	LB-7XX.08	LB-7XX.06	LB-7XXW.05	LB-7XXW.08	LB-7XXW.06
Operating Voltage	12 V / 24 V			12 V / 24 V		
Reverse Polarity Protection	Yes			Yes		
Light Function	LED Warning Light					
Emitted Color	Amber	Blue	Red	Amber with White Alleys	Blue with White Alleys	Red with White Alleys
Consumption	51-153W	51-158W	51-158W	51-153W	51-158W	51-158W
Temperature Range	- 40°C to + 65°C					
Type of Mounting	Bracket Mounting					
Material	Lens	PC				
	Housing	Aluminum				
Type of Protection	IP69 (single module)					
Approvals	ECE	R65				
		TA2	TB2	TR2	TA2	TB2
	EMC	R10-06				
Flashing Patterns	10 patterns					
Type of Connection	2000mm Cable					

DIMENSIONAL DRAWING



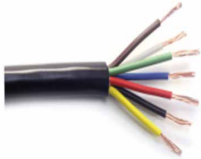
CODES OVERVIEW

Series LB-700	Series LB-700W	# of Modules	Length (mm)
LB-701	LB-701W	1	458
LB-702	LB-702W	2	610
LB-703	LB-703W	3	763
LB-704	LB-704W	4	915
LB-705	LB-705W	5	1065
LB-706	LB-706W	6	1220
LB-707	LB-707W	7	1372
LB-708	LB-708W	8	1525
LB-709	LB-709W	9	1677
LB-710	LB-710W	10	1829

DIMENSIONAL DRAWINGS

AVAILABLE CONNECTIONS

With Wire Exit



Using **.C** after the product number

Available for Series LB-700

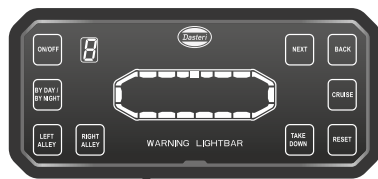
With Pattern Switch



Using **.S** after the product number

Available for Series LB-700

With Remote Control



Using **.R** after the product number

Available for Series LB-700 & Series LB-700W

