



WRK-LED-215

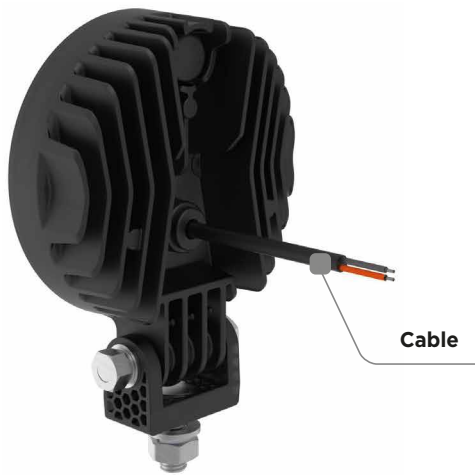
WORK LED LAMP PLASTIC HOUSING



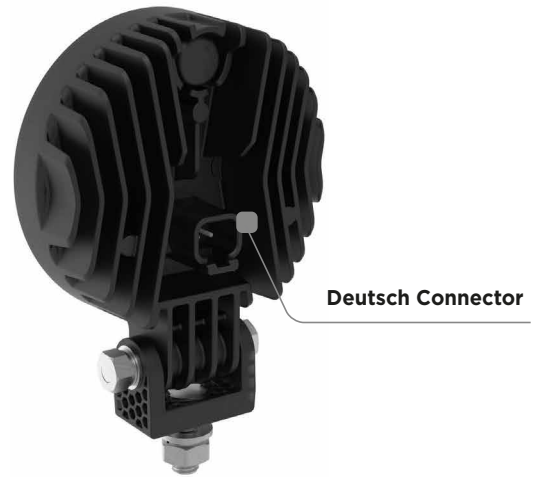
PRODUCT BENEFITS

- Plastic housing design which extends product lifetime due to better heat dispersion
- High Intensity Work Lamp
- Light-Weight Plastic Housing
- High Level EMC Class 3
- Carbon Alloy Plastic Anticorrosion Housing
- Multivoltage 12-24V
- IP69K Protection

CONNECTION LAYOUT



WRK-LED-215



WRK-LED-215DT

HANDLE / BUTTON VERSION



WRK-LED-215



WRK-LED-216

FUNCTIONS LAYOUT



- Regular Lumen Output Version: 2250lm
- Increased Lumen Output Version: 4550lm

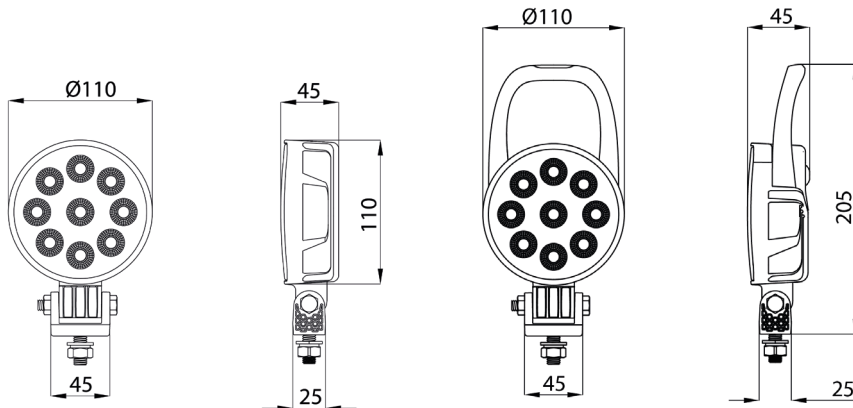
TECHNICAL INFORMATION

Product Number	WRK-LED-215 SERIES	
Exterior Shape	Round	
Operating Voltage	10V - 30V	
Reverse Polarity Protection	Yes	
Light Function	LED Work Lamp	
Consumption	27W (or 40W for higher lumen output)	
Temperature Range	-40C / +65C	
Type of Housing	Available version with handle and switch	
Material	Lens	PC
	Housing	Plastic
Type of Protection	IP69K	
Approvals	EMC	R10-06
	CISPR 25	Class 3
Lumen Output	Raw	2250 lm (or 4550W for higher lumen output)
Type of Connection	Connection	Cable Output or Deutsch Connector
	Specification	500mm length or Integrated 2pin Connector

CODES SERIES OVERVIEW

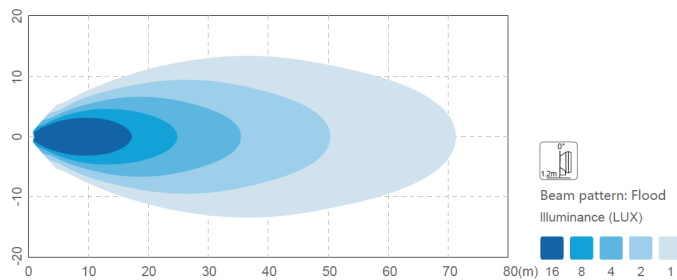
Variants Ref. No.	Cable Exit	Integrated DT Connector	Handle & Switch	Regular Lumen Output	Increased Lumen Output
WRK-LED-215	•			•	
WRK-LED-215DT		•		•	
WRK-LED-215H	•				•
WRK-LED-215HDT		•			•
WRK-LED-216	•		•	•	
WRK-LED-216DT		•	•	•	
WRK-LED-216H	•		•		•
WRK-LED-216HDT		•	•		•

DIMENSIONAL DRAWING



ISOLUX DIAGRAM

WRK-LED-215



WRK-LED-215H

